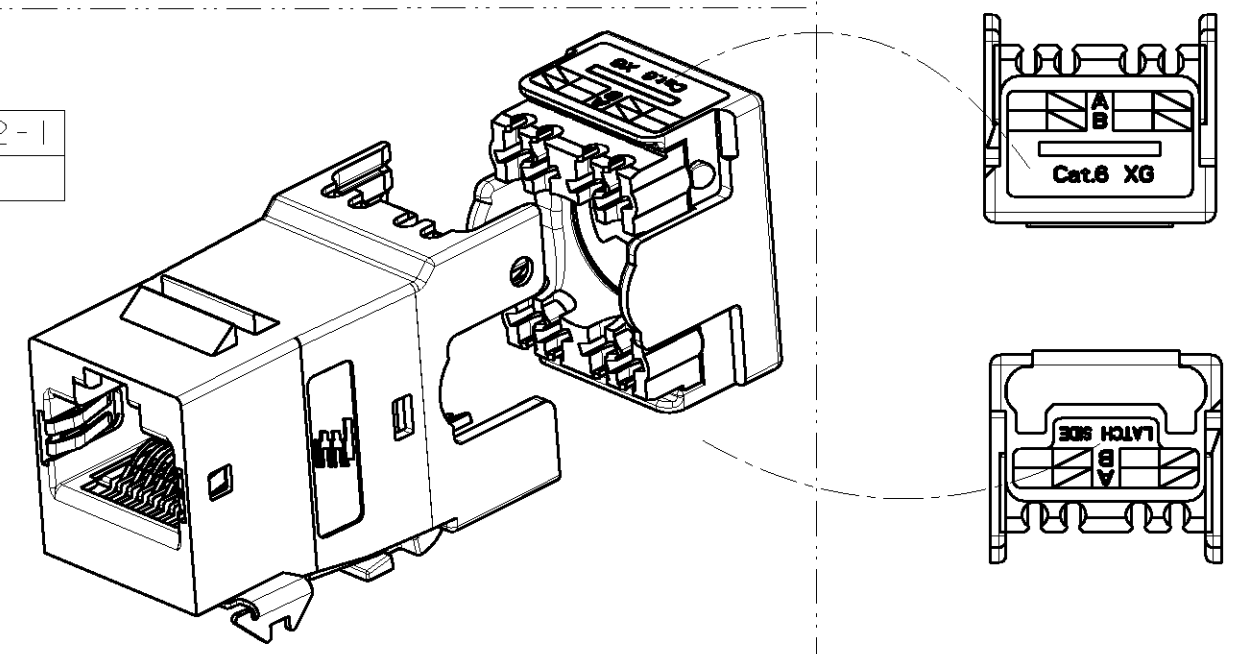


THIS DRAWING IS UNPUBLISHED. RELEASED FOR PUBLICATION 2008  
 © COPYRIGHT 2008 BY TYCO ELECTRONICS CORPORATION. ALL RIGHTS RESERVED.

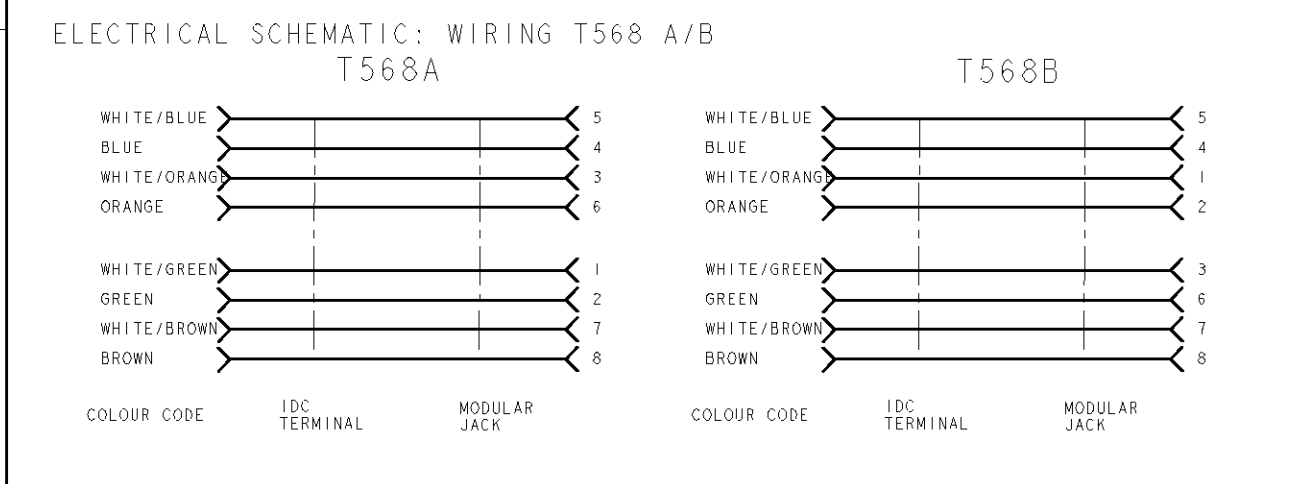
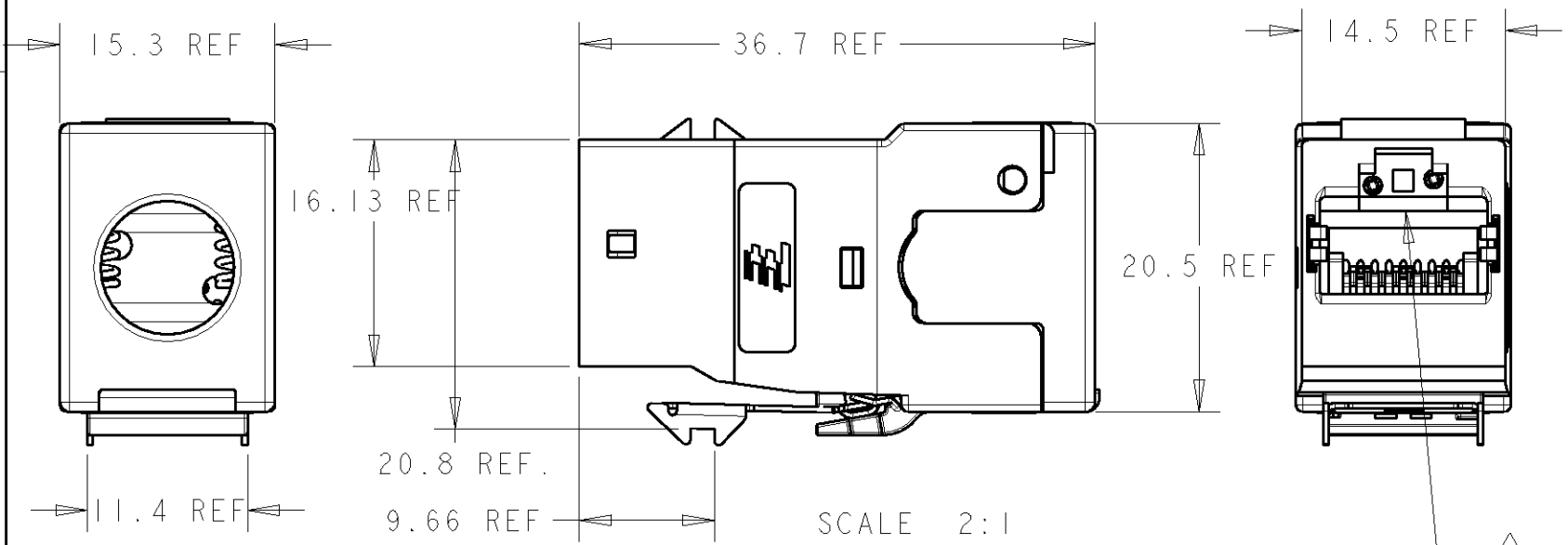
OPTIMIZED FOR F/UTP CABLES	1711342-2
OPTIMIZED FOR S/FTP and F/FTP CABLES	1711342-1
NOTE	PN-DASH

COLOUR CODING / LABELS

AS SHOWN	1711342-1
COMMENTS	PN

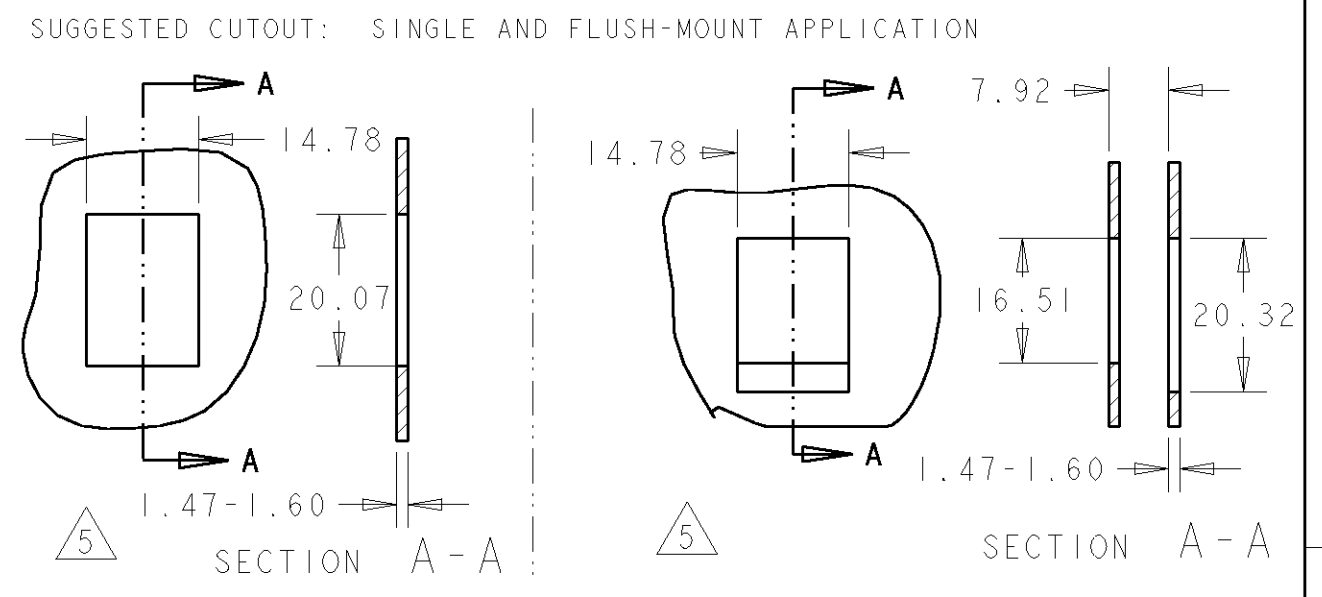


SCALE 2:1



LOC	DIST	REVISIONS				
P	LTR	DESCRIPTION	DATE	DWN	APVD	
1K	2	DI	ADDED DASH 2	14NOV2008	ACG	JS

- 1 MATERIAL:
- FRONT AND REAR HOUSING, CABLE CLAMP: ZAMAK 5. (Z410).
  - IDC CONNECT BLOCK, DUST COVER AND LACING FIXTURE: POLYCARBONATE NATURAL.
  - CUTTING BLADE, SPRINGS, SHIELD CONTACT POINT AND LATCH: STAINLESS STEEL.
  - JACK CONTACTS: BERYLLIUM COPPER, PLATED WITH 1.27 um MINIMUM THICK GOLD IN LOCALIZED AREA AND 3.81 um MINIMUM THICK MATTE TIN IN SOLDER AREA OVER 1.27 um MINIMUM THICK NICKEL UNDERPLATE.
  - IDC TERMINALS: PHOSPHOROUS BRONZE, PLATED WITH 3.81 um MINIMUM THICK BRIGHT MATTE TIN OVER 1.27 MINIMUM THICK NICKEL UNDERPLATE.
2. AMP-TWIST-6S SL JACK WILL TERMINATE:
- SOLID CONDUCTORS: 22-24 AWG.
  - STRANDED CONDUCTORS: 24-26 AWG.
  - MAX. INSULATION DIAMETER:  $\varnothing$ 1.60 mm.
  - MAX. CABLE JACKET:  $\varnothing$ 9.00 mm.
- 3 CAVITY ACCORDING TO IEC 60603-7-5 Ed. 1.0
4. MOUNTING PANEL THICKNESS 1.47-1.60 mm. (SEE SUGGESTED CUTOUT).
- 5 THESE TWO SUGGESTED CUTOUT OPENINGS ARE USED INTANDEM WITH DUAL FRONT AND BACK CUTOUTS.
- 6 PACKAGING: ACCORDING TO SPEC. 107-93003.
7. REFER TO 411-93007 FOR TERMINATION INSTRUCTIONS USING SL SERIES TOOL TERMINATION: SL SERIES TOOL PN 1901551-1.
8. DIMENSIONS SHOWN ARE FOR REFERENCE ONLY.



THIS DRAWING IS A CONTROLLED DOCUMENT FOR TYCO ELECTRONICS CORPORATION IT IS SUBJECT TO CHANGE AND THE CONTROLLING ENGINEERING ORGANIZATION SHOULD BE CONTACTED FOR THE LATEST REVISION.

DWN	25JUL2005	Tyco Electronics AMP España, S.A. Barcelona. Spain.
CHK	A. CARRERAS	
APVD	L. de DIOS	
	16JUN2006	
PRODUCT SPEC		NAME
108-93003		AMP-TWIST-6S SL JACK
APPLICATION SPEC		REAR CABLE EXIT
411-93007		W/O DUST COVER
WEIGHT		SIZE
-		A3
MATERIAL		CAGE CODE
-		00779
FINISH		DRAWING NO
-		C=1711342
CUSTOMER DRAWING		RESTRICTED TO
		-
SCALE		SHEET
1:1		OF
		REV
		DI